

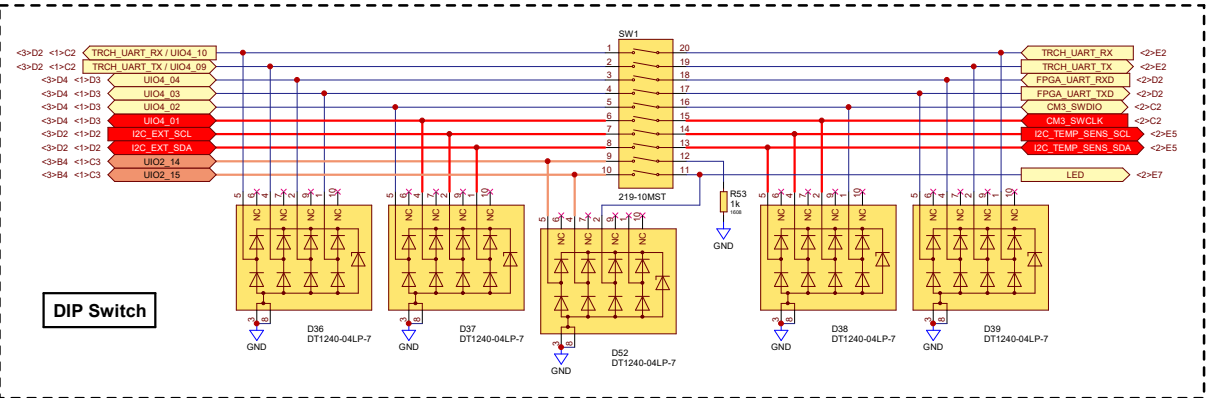
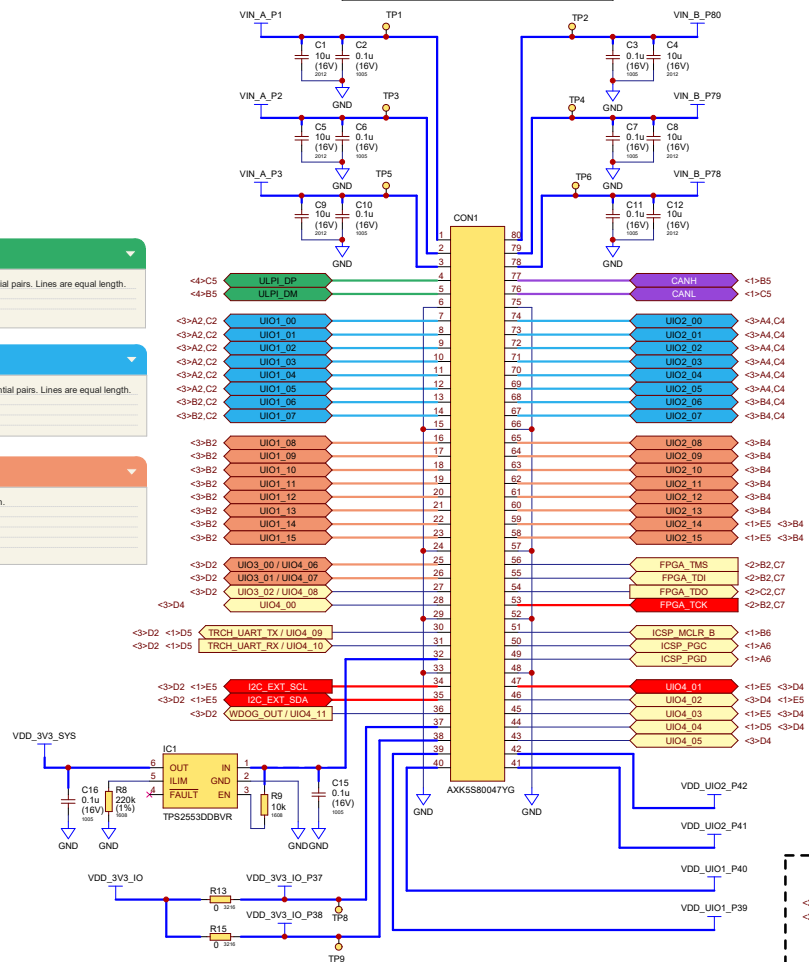
SC-OBC Module A1 I/F, Debug I/F

SC-OBC Module A1 I/F

PIC KIT ver.4/5

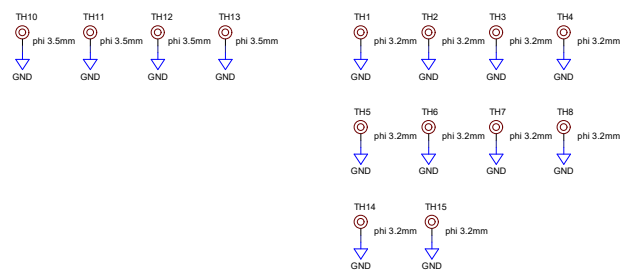
CAN

- PCB Rule**
- USB 90 ohm differential pairs. Lines are equal length.
 - F_ULPI_DP
 - F_ULPI_DM
- PCB Rule**
- MPI1 100 ohm differential pairs. Lines are equal length.
 - UIO1_00~07
 - UIO2_00~07
- PCB Rule**
- Lines are equal length.
 - UIO1_08~15
 - UIO2_08~15
 - UIO3_00/UIO4_06
 - UIO3_01/UIO4_07



OBC Module Mounting Hole Φ3.5mm

Development Kit Mounting Hole Φ3.2mm

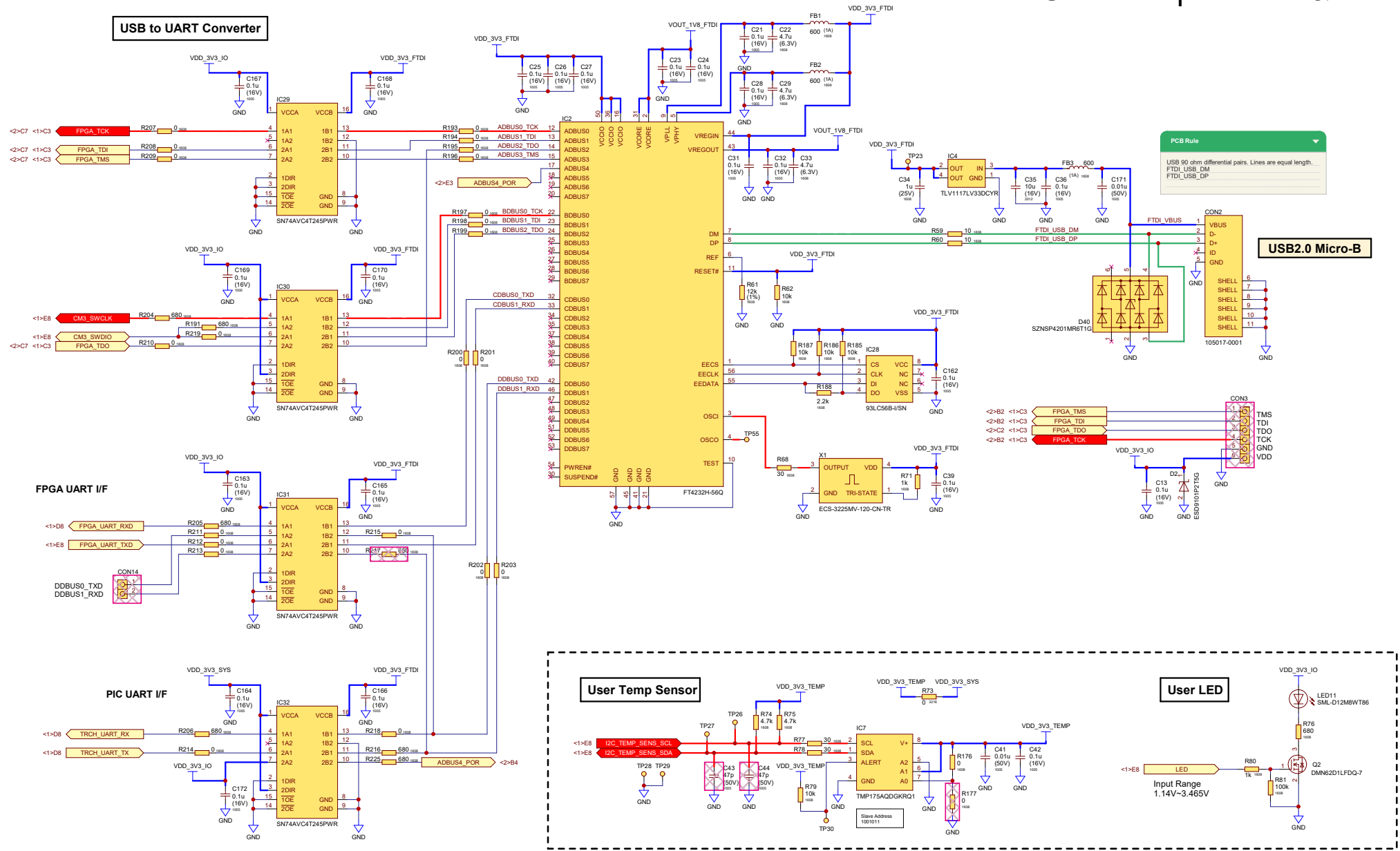


* This drawing is provided for reference purposes only and does not guarantee that the components shown in this drawing will be used.

Project Title		SC-OBC Module A1 Development Board
Sheet Title		SC-OBC Module A1 I/F, Debug I/F
Part No.		SC-EVB-A1001
Rev.		1
Sheet		1 / 5



USB to Serial Converter User Temp Sensor & LED



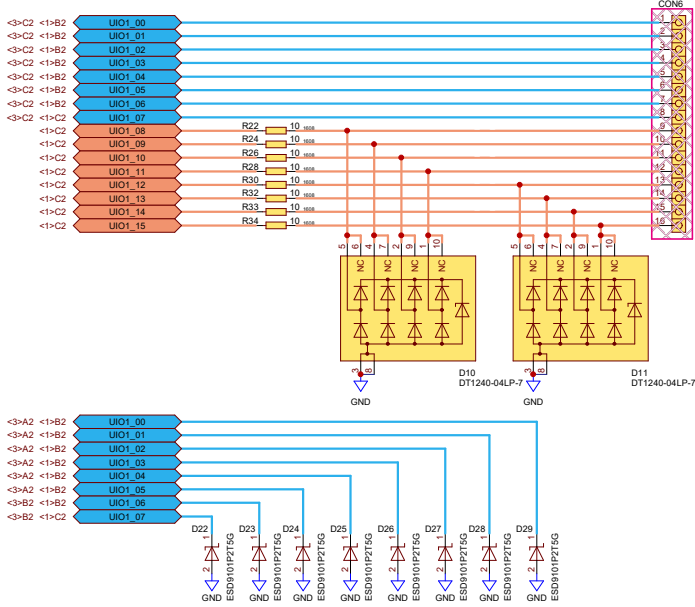
* This drawing is provided for reference purposes only and does not guarantee that the components shown in this drawing will be used.

Project Title		SC-0BC Module A1 Development Board
Sheet Title		USB to Serial Converter, User Temp Sensor & LED
Part No.		SC-EVB-A1001
Rev.		1
Sheet		2 / 5

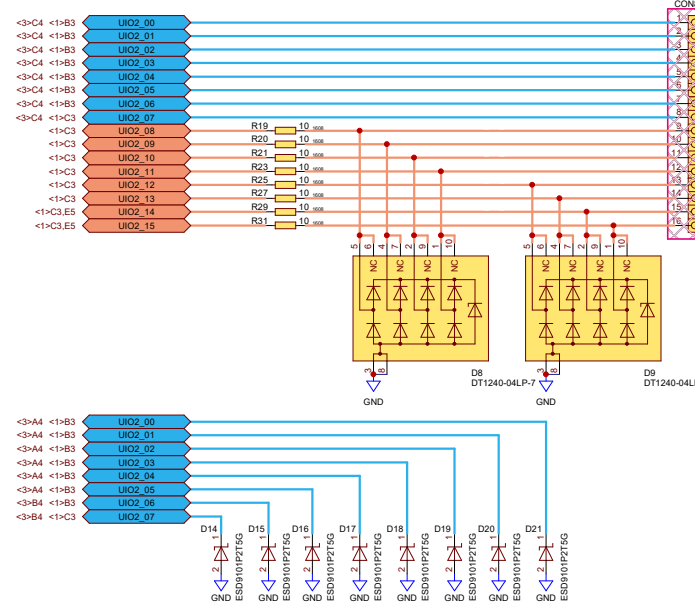


UIO Universal Area

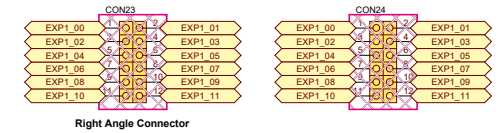
UIO1 Interface



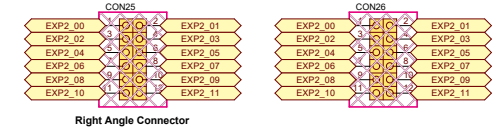
UIO2 Interface



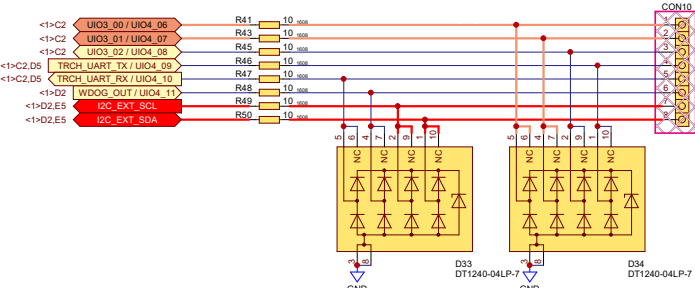
Expansion Interface 1



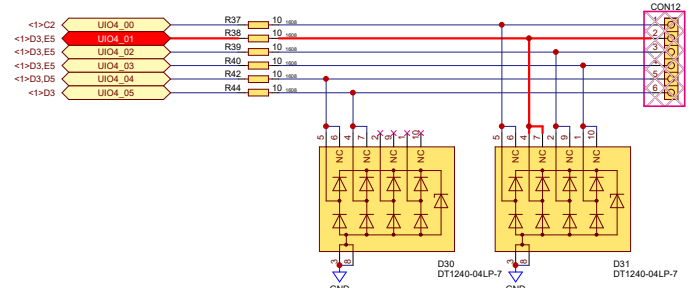
Expansion Interface 2



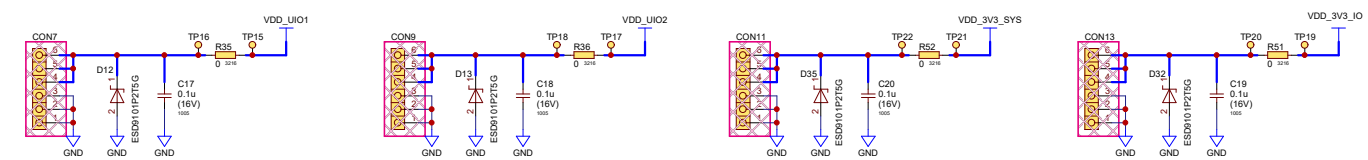
UIO3/Ext.I2C Interface



UIO4 Interface



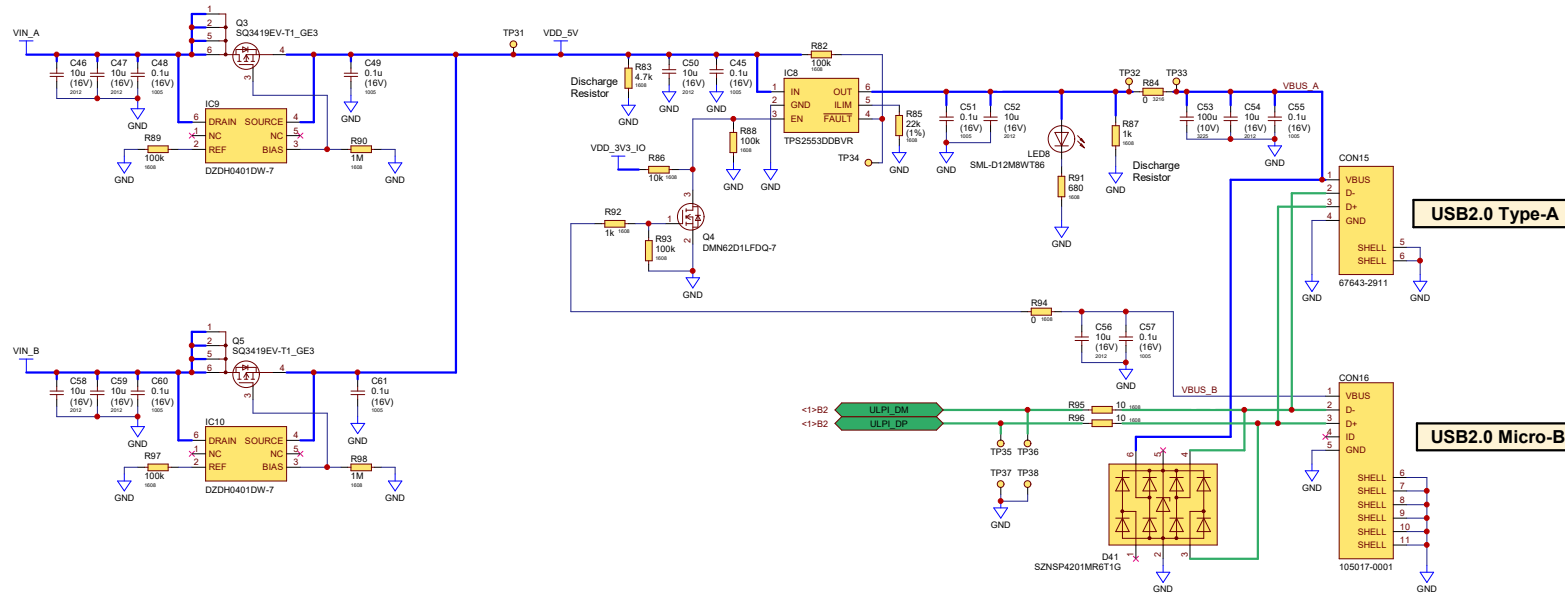
Output Power



* This drawing is provided for reference purposes only and does not guarantee that the components shown in this drawing will be used.

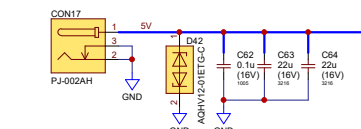
Project Title SC-0BC Module A1 Development Board		Part No. SC-EVB-A1001
Sheet Title UIO Universal Area		Rev. 1
		Sheet 3 / 5

Power, SC Bus

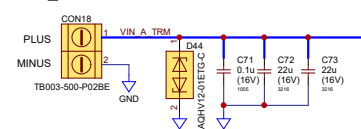


Power Supply (5V)

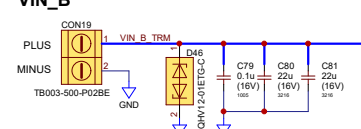
DC Jack



VIN_A



VIN_B

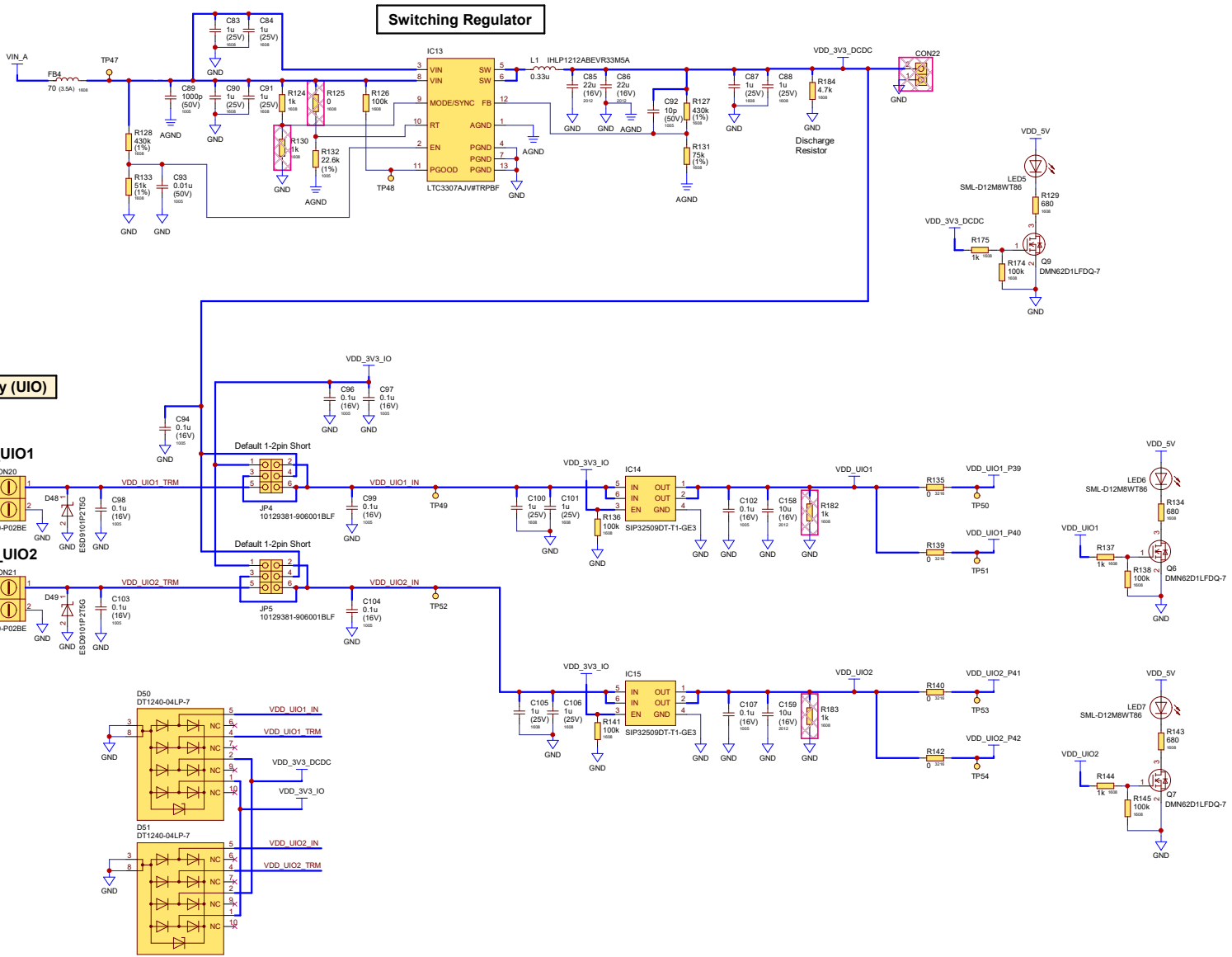


* This drawing is provided for reference purposes only and does not guarantee that the components shown in this drawing will be used.

Project Title		SC-OBc Module A1 Development Board
Sheet Title		Power, SCBus
Part No.		SC-EVB-A1001
Rev.		1
Sheet		4 / 5



DC/DC, VDD_UIO1, VDD_UIO2



* This drawing is provided for reference purposes only and does not guarantee that the components shown in this drawing will be used.

Project Title		SC-OBC Module A1 Development Board
Sheet Title		DC/DC, VDD_UIO1, VDD_UIO2
Part No.		SC-EVB-A1001
Rev.		1
Sheet		5 / 5

